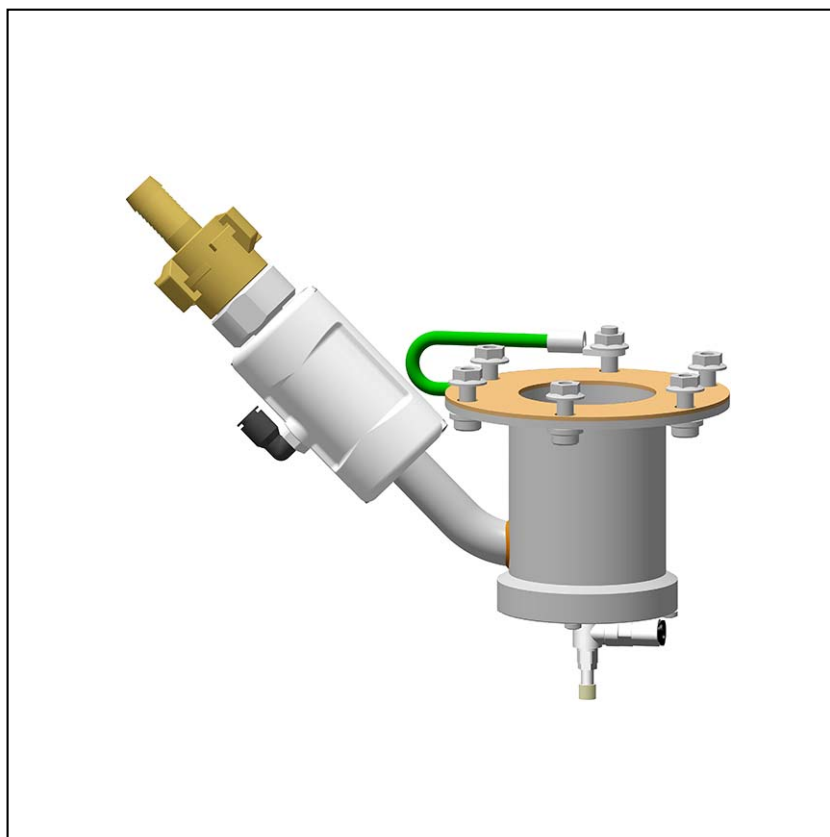


# Fluidized hopper (Delivery unit with PP06)



Translation of the original operating instructions

## **Documentation Fluidized hopper**

© Copyright 2006 Gema Switzerland GmbH

All rights reserved.

This publication is protected by copyright. Unauthorized copying is prohibited by law. No part of this publication may be reproduced, photocopied, translated, stored on a retrieval system or transmitted in any form or by any means for any purpose, neither as a whole nor partially, without the express written consent of Gema Switzerland GmbH.

MagicCompact, MagicCylinder, MagicPlus, MagicControl, OptiFlex, OptiControl, OptiGun, OptiSelect, OptiStar and SuperCorona are registered trademarks of Gema Switzerland GmbH.

OptiFlow, OptiCenter, OptiMove, OptiSpeeder, OptiFeed, OptiSpray, OptiSieve, OptiAir, OptiPlus, OptiMaster, MultiTronic, EquiFlow, Precise Charge Control (PCC), Smart Inline Technology (SIT) and Digital Valve Control (DVC) are trademarks of Gema Switzerland GmbH.

All other product names are trademarks or registered trademarks of their respective holders.

Reference is made in this manual to different trademarks or registered trademarks. Such references do not mean that the manufacturers concerned approve of or are bound in any form by this manual. We have endeavored to retain the preferred spelling of the trademarks, and registered trademarks of the copyright holders.

To the best of our knowledge and belief, the information contained in this publication was correct and valid on the date of publication. Gema Switzerland GmbH makes no representations or warranties with respect to the contents or use of this publication, and reserves the right to revise this publication and make changes to its content without prior notice.

For the latest information about Gema products, visit [www.gemapowdercoating.com](http://www.gemapowdercoating.com).

For information regarding patents, visit [www.gemapowdercoating.com/patents](http://www.gemapowdercoating.com/patents) or [www.gemapowdercoating.us/patents](http://www.gemapowdercoating.us/patents).

### **Printed in Switzerland**

Gema Switzerland GmbH  
Mövenstrasse 17  
9015 St.Gallen  
Switzerland

Phone: +41-71-313 83 00

Fax: +41-71-313 83 83

Email: [info@gema.eu.com](mailto:info@gema.eu.com)

# Table of contents

<b>Spare parts list</b>	<b>5</b>
Ordering spare parts .....	5
Fluidized hopper to delivery unit with PP06 .....	6



# Spare parts list


---

## Ordering spare parts

When ordering spare parts for powder coating equipment, please indicate the following specifications:

- Type and serial number of your powder coating equipment
- Order number, quantity and description of each spare part

**Example:**

- **Type** Fluidized hopper  **Serial number** 1234 5678
- **Order no.** 203 386, 1 piece, Clamp – Ø 18/15 mm

When ordering cable or hose material, the required length must also be given. The spare part numbers of this bulk stock is always marked with an \*.

The wearing parts are always marked with a #. marked.

All dimensions of plastic hoses are specified with the external and internal diameter:

**Example:**

Ø 8/6 mm, 8 mm outside diameter (o/d) / 6 mm inside diameter (i/d)



---

**ATTENTION!**

**Only original Gema spare parts should be used, because the explosion protection will also be preserved that way. The use of spare parts from other manufacturers will invalidate the Gema guarantee conditions!**

---

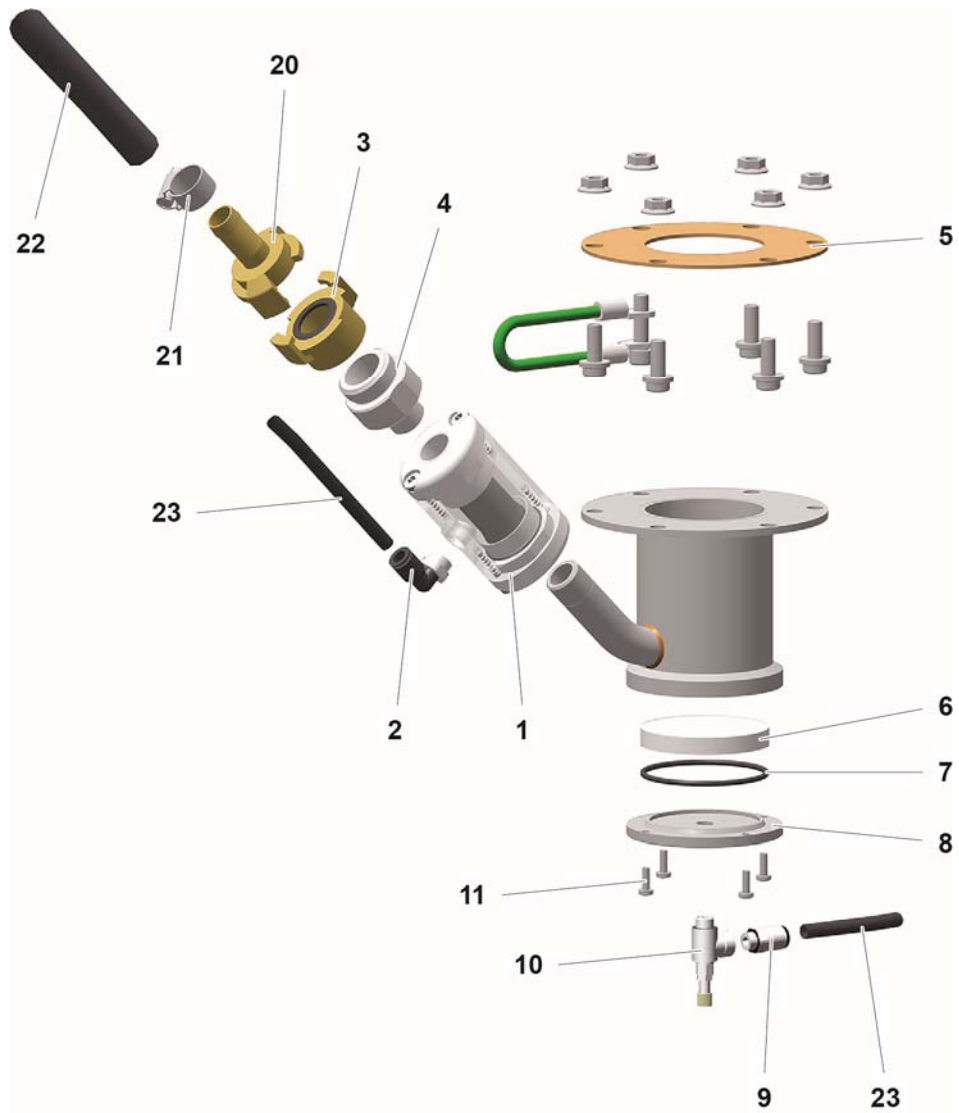
---

## Fluidized hopper to delivery unit with PP06

1	Pinch valve DN15 – complete, incl. pos. 1.1	1006 255
1.1	Sleeve – DN15 mm	1006 256#
2	Elbow joint – 1/4"-Ø 8 mm	254 029
3	Geka coupling – 1"	1000 854
4	Connecting piece	1005 503
5	Gasket	395 439
6	Fluidizing plate	1006 656
7	O-ring – Ø 64x3 mm, NBR70	255 335
8	Base piece	1006 655
9	Screw-in nipple – 1/8"-Ø 8 mm	240 087
10	Throttle valve – 1/8"-1/8"	1002 127
11	Cap screw – M4x12 mm	216 798
20	Geka coupling – Ø 16 mm	1003 872
21	Hose clamp – Ø 17–25 mm	223 085
22	Powder hose – Ø 23/16 mm	1010 040*#
23	Plastic tube – Ø 8/6 mm	103 756*

# Wearing part

\* Please specify length



Fluidized hopper to delivery unit with PP06