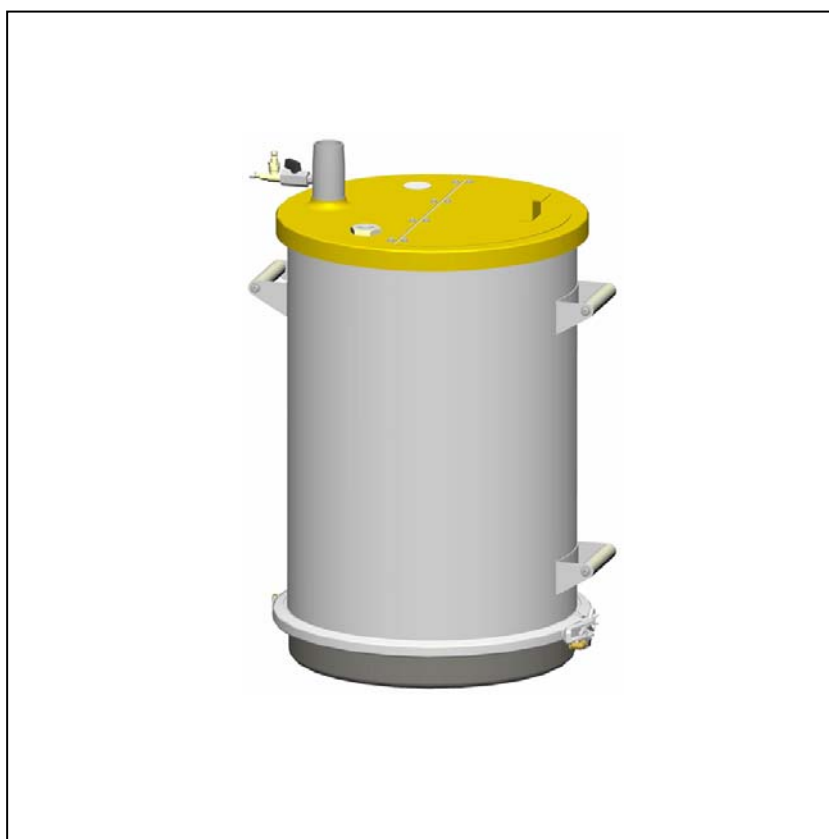


---

Spare parts list

# HF03-50 Powder Hopper



Translation of the original operating instructions

## Documentation HF03-50

© Copyright 2006 Gema Switzerland GmbH

All rights reserved.

This publication is protected by copyright. Unauthorized copying is prohibited by law. No part of this publication may be reproduced, photocopied, translated, stored on a retrieval system or transmitted in any form or by any means for any purpose, neither as a whole nor partially, without the express written consent of Gema Switzerland GmbH.

OptiTronic, OptiGun, EasyTronic, EasySelect, OptiFlow and SuperCorona are registered trademarks of Gema Switzerland GmbH.

OptiMatic, OptiMove, OptiMaster, OptiPlus, MultiTronic and Gematic are trademarks of Gema Switzerland GmbH.

All other product names are trademarks or registered trademarks of their respective holders.

Reference is made in this manual to different trademarks or registered trademarks. Such references do not mean that the manufacturers concerned approve of or are bound in any form by this manual. We have endeavored to retain the preferred spelling of the trademarks, and registered trademarks of the copyright holders.

To the best of our knowledge and belief, the information contained in this publication was correct and valid on the date of issue. Gema Switzerland GmbH makes no representations or warranties with respect to the contents or use of this publication and reserves the right to revise this publication and make changes to its content without prior notice.

### Printed in Switzerland

Gema Switzerland GmbH  
Mövenstrasse 17  
9015 St. Gallen  
Switzerland

Phone: +41-71-313 83 00

Fax.: +41-71-313 83 83

E-Mail: [info@gema.eu.com](mailto:info@gema.eu.com)

Homepage: [www.gemapowdercoating.com](http://www.gemapowdercoating.com)

# Spare parts list

---

## Ordering spare parts

When ordering spare parts for powder coating equipment, please indicate the following specifications:

- Type and serial number of your powder coating equipment
- Order number, quantity and description of each spare part

**Example:**

- **Type** HF03-50,  
**Serial no.** 1234 5678
- **Order no.** 203 386, 1 piece, Clamp - Ø 18/15 mm

When ordering cable or hose material, the required length must also be given. The spare part numbers of this yard/meter ware is always marked with an \*.

The wear parts are always marked with a #.

All dimensions of plastic hoses are specified with the external and internal diameter:

**Example:**

Ø 8/6 mm, 8 mm outside diameter (o/d) / 6 mm inside diameter (i/d)



---

**WARNING!**

**Only original Gema spare parts should be used, because the explosion protection will also be preserved that way. The use of spare parts from other manufacturers will invalidate the Gema guarantee conditions!**

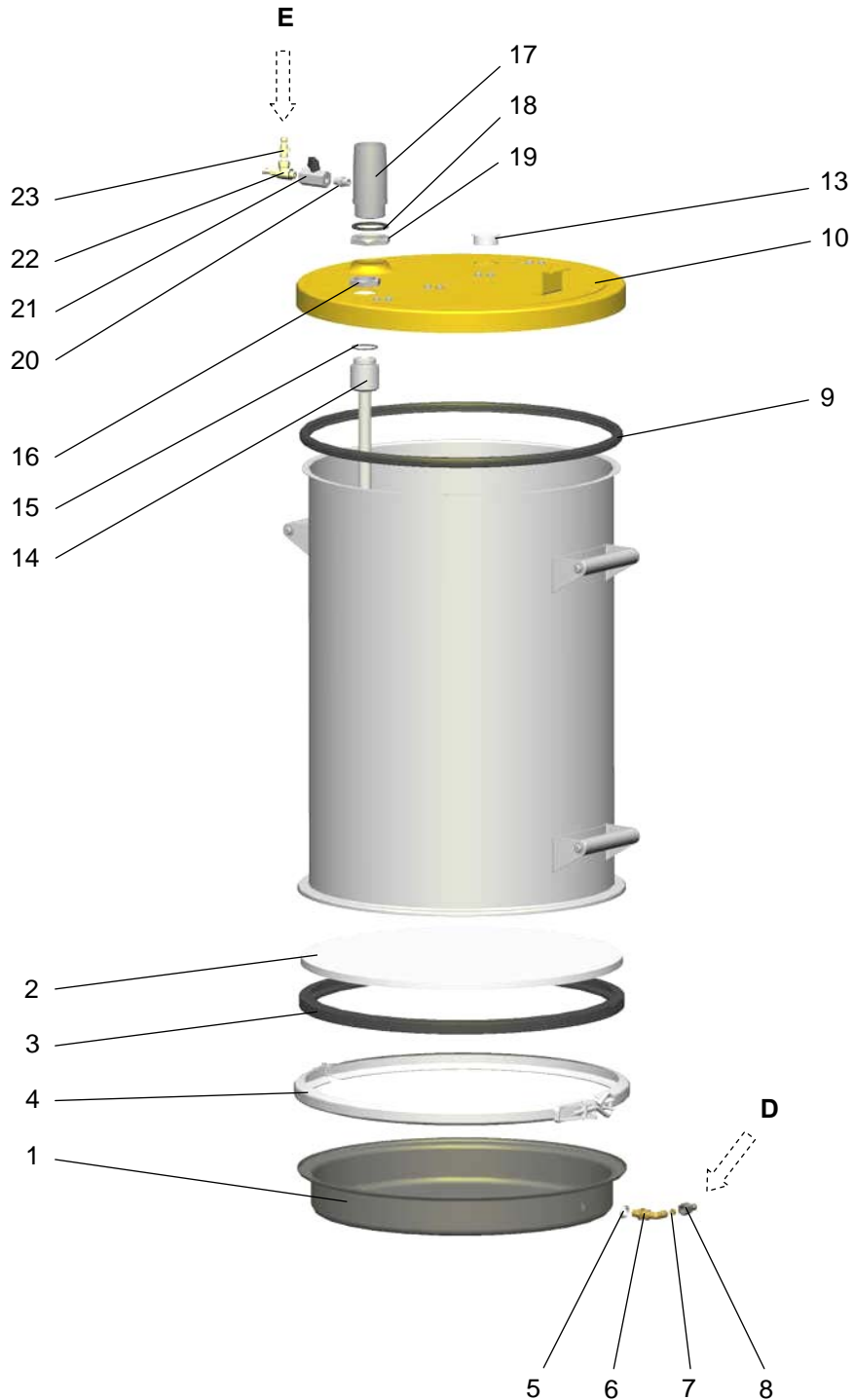
---

## HF03-50 Powder hopper

<b>A</b>	<b>Powder hopper - complete</b>	<b>1001 655</b>
<b>B</b>	<b>Hopper body - complete (pos. 1-9)</b>	<b>1001 644</b>
1	Floor plate	1001 640
2	Fluidizing plate	390 151
3	Fluidizing bed seal	390 186
4	Clamp ring	390 194
5	Sealing ring - Ø 10.2/17x3.8 mm	230 626
6	Elbow screw connection - 1/8"a-1/8"a	1001 079
7	Bezel - Ø 1.4 mm	371 912
8	Connector - NW5, 1/8"i	200 859
9	Protective strip	103 837
10	Hopper cover - complete	1001 648
	Spiral hose - Ø 40/45 mm, for pos. C (not shown)	100 048*
13	Blind grommet - Ø 36x12 mm	238 333
14	Suction tube - complete, L=504 mm (incl. pos. 15)	339 130
15	O-Ring - Ø 28.3x1.78 mm	224 987
16	Lock nut - PG21	234 869
<b>C</b>	<b>Airmover - complete (incl. pos. 17-23)</b>	<b>1002 043</b>
17	Venting tube	375 845
18	O-Ring - Ø 38x4 mm	239 151
19	Locknut	342 343
20	Double nipple - 1/8"a-1/8"a	202 258
21	Ball valve	260 967
22	Throttle valve - 1/8"a-1/8"a	1002 127
23	Connector - NW5-1/8"a	237 272
<b>D</b>	<b>Pneumatic connection fluidizing air - complete (not shown), consisting of:</b>	<b>1002 042</b>
	Quick release connection - NW5, Ø 6 mm	200 840
	Plastic hose - Ø 6/4 mm, black	1001 973*
	Nut with kink protection - M10x1 mm, Ø 6 mm	201 308
<b>E</b>	<b>Pneumatic connection Airmover - complete (not shown), consisting of:</b>	<b>1002 058</b>
	Plastic hose - Ø 8/6 mm, black	103 756*
	Quick release connection - NW5, Ø 8 mm	203 181

\* Please indicate length

# HF03-50 Powder hopper



HF03-50 Powder hopper